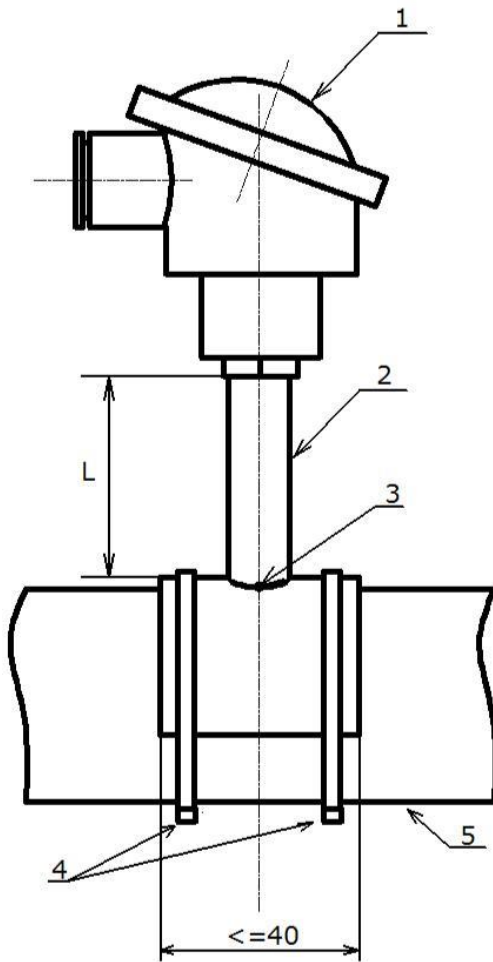


# Temperature sensor TJ-B(M) with maintenance to pipe

## Technical data



**Measuring range:** -30...180, 250, 400°C

**Sensor:** Pt100, Pt1000 (DIN IEC 751),  
Ni100, Ni1000/ thermocouple K, J

**accuracy** class A or B (IEC 751) / cl.2 (IEC 584)

**max Pt, Ni current** 1 mA

---

### Electrical connection:

2-wire, 3-wire or on request

---

**Transducer output signal:** 4...20 mA, 4...20 mA +HART,  
0...10V, RS-485, IO-LINK

**Supply:** 15...35 VDC

---

### Connection head (1):

**type** B, M

**closure** with screws

**Protection class:** IP65

**max. temperature:**

**connection head's:** 100°C

**integrated transmitter's:** 85°C

---

### Remoteness tube (2):

**material** stainless steel AISI304 (1.4301)

**diameter D** Ø10 mm

**length L** 10; 50 mm  
or on request

---

### Measuring part - leaf adhering to pipe (3):

**material** stainless steel AISI304 (1.4301)

---

### Strainers (4):

2 ps. not included, ordering additional

---

### Thermosensor for process pipe (5):

Ø15 - 40 mm, or on request

---

**AUREGIS UAB**

Savanorių pr. 271/ Mītuvos g. 2, Kaunas LT-50131

**Tel./fax.:** +370 37 313426

**Mob. :** (+370) 686 38409, 614 34419, 686 54049,  
698 74609, 614 71784

**El. paštas:** info@auregis.lt

www.auregis.lt